

Laurel Electronics Co., Ltd.

SPECIFICATION FOR TFT LCD MODULE

MODEL NO.: LT035B-50DT

(WITH TOUCH PANEL)

3.5", 320(RGB) x 240 TFT LCM WITH MCU INTERFACE

자세한 내용은 (주)가나시이스,
TEL: 02-2681-5611로 주시기 바랍니다.

| REVISION | PREPARED | CHECKED | APPROVED |
|----------|----------|---------|----------|
| 0.1 | Y.D.Y. | L.Y.J. | L.Y. |

RECORD OF REVISION

| Date | Revision | Page | Revision Items |
|------------|----------|------|--|
| 2013-07-17 | 0.1 | - | New release. Update schematic and PCB layout from LT035B-50BT 자세한 내용은 (주)가나시이스, TEL: 02-2681-5611로 주시기 바랍니다. |

CONTENTS

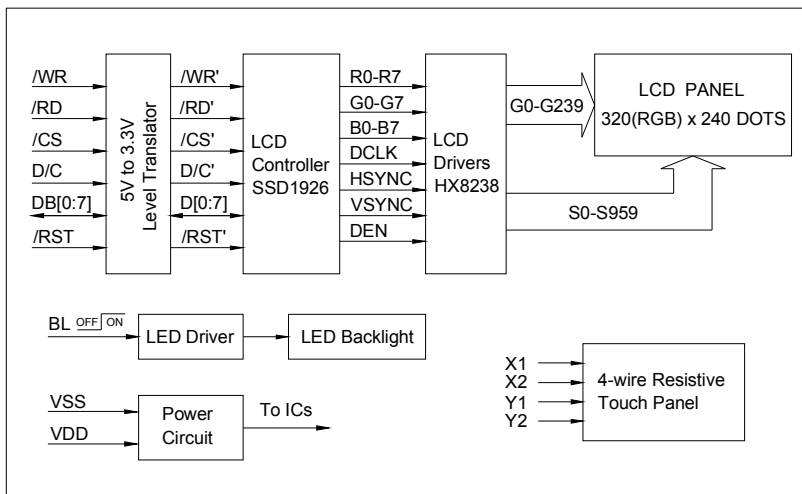
| | |
|---------------------------------------|----|
| 1. General Description | 4 |
| 2. Block Diagram | 4 |
| 3. Interface Specifications | 5 |
| 4. Absolute Maximum Ratings | 6 |
| 5. Electrical Characteristics | 6 |
| 6. Touch Screen Panel Specifications | 10 |
| 7. Optical Specifications | 11 |
| 8. Outline Dimension | 12 |
| 9. Initialization | 13 |
| 10. Precautions for Use of LCD Module | 15 |

자세한 내용은 (주)가나시이스,
TEL: 02-2681-5611로 주시기 바랍니다.

1. General Description

| Item | Specifications | Unit |
|----------------------------|------------------------------------|---------|
| LCD Type | TFT | - |
| Display Color | 16M | - |
| Active Area (W×H) | 70.08×52.56 | mm |
| Screen Size | 3.5(Diagonal) | inch |
| Number of Dots | 320(RGB)×240 | dot |
| Color Configuration | RGB-Stripe | - |
| Dot Pitch (W×H) | 0.073×0.219 | mm |
| Outline Dimensions (W×H×T) | 94.0×80.0×11.0 | mm |
| Polarizer Mode | Transmissive | - |
| Viewing Direction | 6 (Gray Scale Inversion Direction) | O'clock |
| Controller | SSD1926 | - |
| VDD | 3.3 to 5.5 | V |
| Interface | 8080 MCU 8-bit Indirect Interface | - |
| Backlight | White LED | - |
| Touch Panel | 4-wire Resistive | - |
| Operating Temperature | -20 to +70 | °C |
| Storage Temperature | -30 to +80 | °C |
| Weight | 72 | g |

2. Block Diagram



3. Interface Specification (CN1/CN2)

| Pin No. | Symbol | Level | Function |
|---------|--------|--------------|---|
| 1 | VSS | 0V | Ground |
| 2 | VDD | 3.3V to 5.5V | Power supply for logic and LED backlight |
| 3 | BL | H/L | LED backlight driver enable signal. BL="H": LED backlight on; BL="L": LED backlight off. The LED backlight brightness can be adjusted by a PWM signal applied to BL terminal. |
| 4 | D/C | H/L | Data or command selection H: Display data L: Command |
| 5 | /WR | L | Write signal. Active "L". |
| 6 | /RD | L | Read signal. Active "L". |
| 7 | DB0 | H/L | Data bus |
| 8 | DB1 | H/L | |
| 9 | DB2 | H/L | |
| 10 | DB3 | H/L | |
| 11 | DB4 | H/L | |
| 12 | DB5 | H/L | |
| 13 | DB6 | H/L | |
| 14 | DB7 | H/L | |
| 15 | /CS | H→L | Chip enable signal. Active at falling edge. |
| 16 | /RST | L | Reset signal. Active "L" |
| 17 | X1 | - | Touch panel left side terminal |
| 18 | Y2 | - | Touch panel bottom side terminal |
| 19 | X2 | - | Touch panel right side terminal |
| 20 | Y1 | - | Touch panel top side terminal |
| 21-22 | NC | - | No connection |
| 23-26 | NC | -- | No connection |

Note: 1. Pin 23 to Pin 26 is only available for CN1

4. Absolute Maximum Ratings

| Item | Symbol | Condition | Min | Max | Unit | Remark |
|--------------------|--------|-----------|------|---------|------|---------------------|
| Input Power Supply | VDD | - | -0.3 | 5.5 | V | Logic and Backlight |
| Input Voltage | Vi | - | -0.3 | VDD+0.3 | V | |

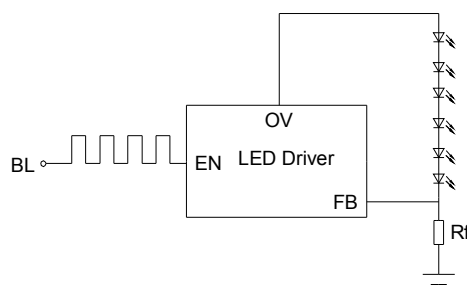
5. Electrical Characteristics

5.1 DC Characteristics (Ta=25°C)

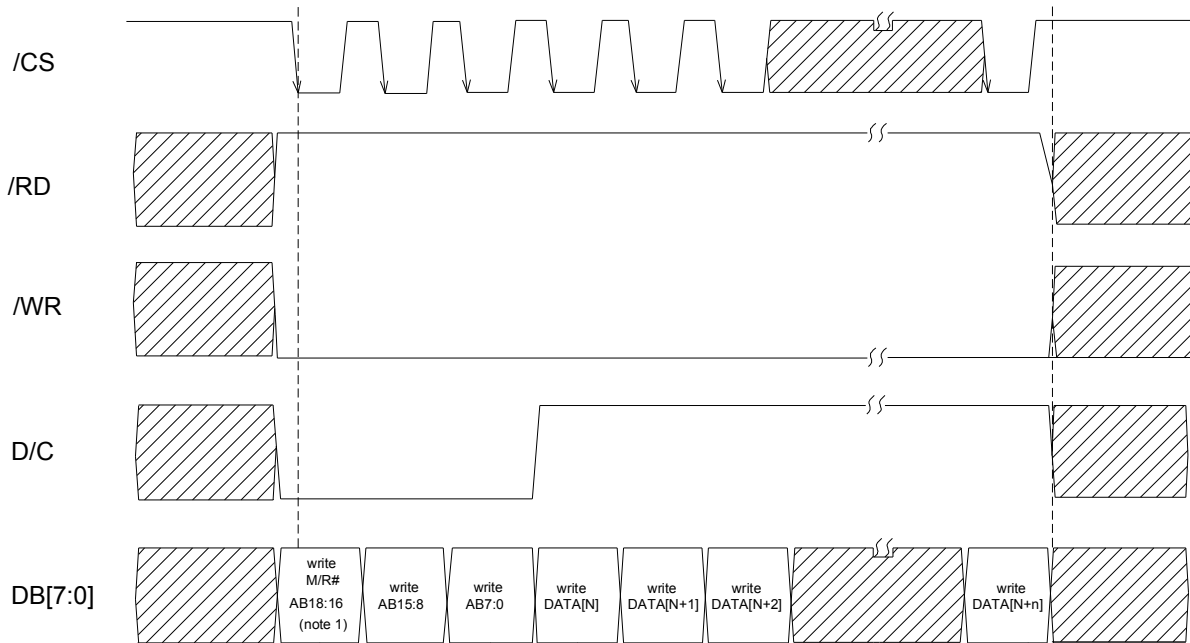
| Item | Symbol | Condition | Min | Typ | Max | Unit |
|---|--------|------------|---------|-----|-----|------|
| Power Supply | VDD | | 3.3 | 5.0 | 5.5 | V |
| Input High Voltage | VIH | | 2.0 | - | VDD | V |
| Input Low Voltage | VIL | | 0 | - | 0.8 | V |
| Output High Voltage | VOH | IOH=-0.1mA | VDD-0.2 | - | VDD | V |
| Output Low Voltage | VOL | IOL= 0.1mA | 0 | - | 0.2 | V |
| Current Consumption (Backlight is turned on) | IDD | VDD=5V | - | 110 | 130 | mA |
| | | VDD=3.3V | - | 155 | 175 | mA |
| Current Consumption (Backlight is turned off) | IDD | VDD=5V | - | 50 | 60 | mA |
| | | VDD=3.3V | - | 50 | 60 | mA |

5.2 LED Backlight

The LED backlight is driven by a LED driver IC. With the PWM signal applied to the BL pin, the LED driver IC is turned on or off by the PWM signal. The LEDs operate at either zero or full current. The average LED current increases proportionally with the duty cycle of the PWM signal. A 0% duty cycle will turn off the led driver and corresponds to zero LED current. A 100% duty cycle corresponds to full current. The typical frequency range of the PWM signal should be 1 KHz or less due to the soft start function.



5.3 8080 8-bit Indirect Interface Timing Diagram (Write Cycle)

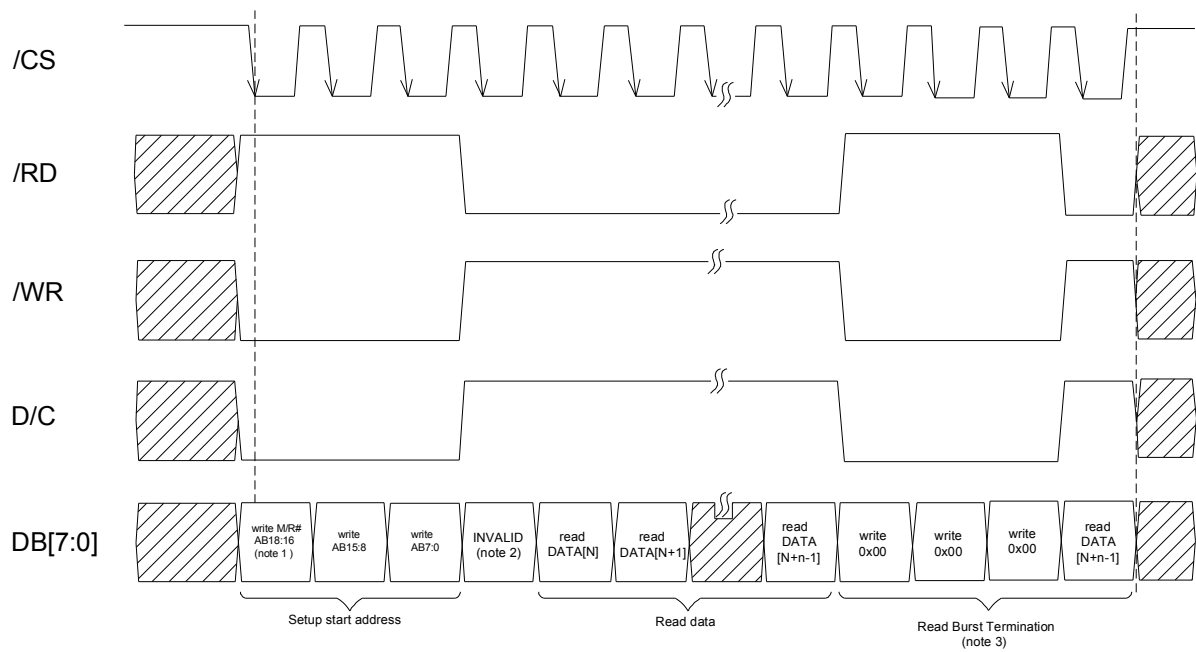


자세한 내용은 (주)가나시이스, TEL: 02-2681-5611로 주시기 바랍니다.

Note:

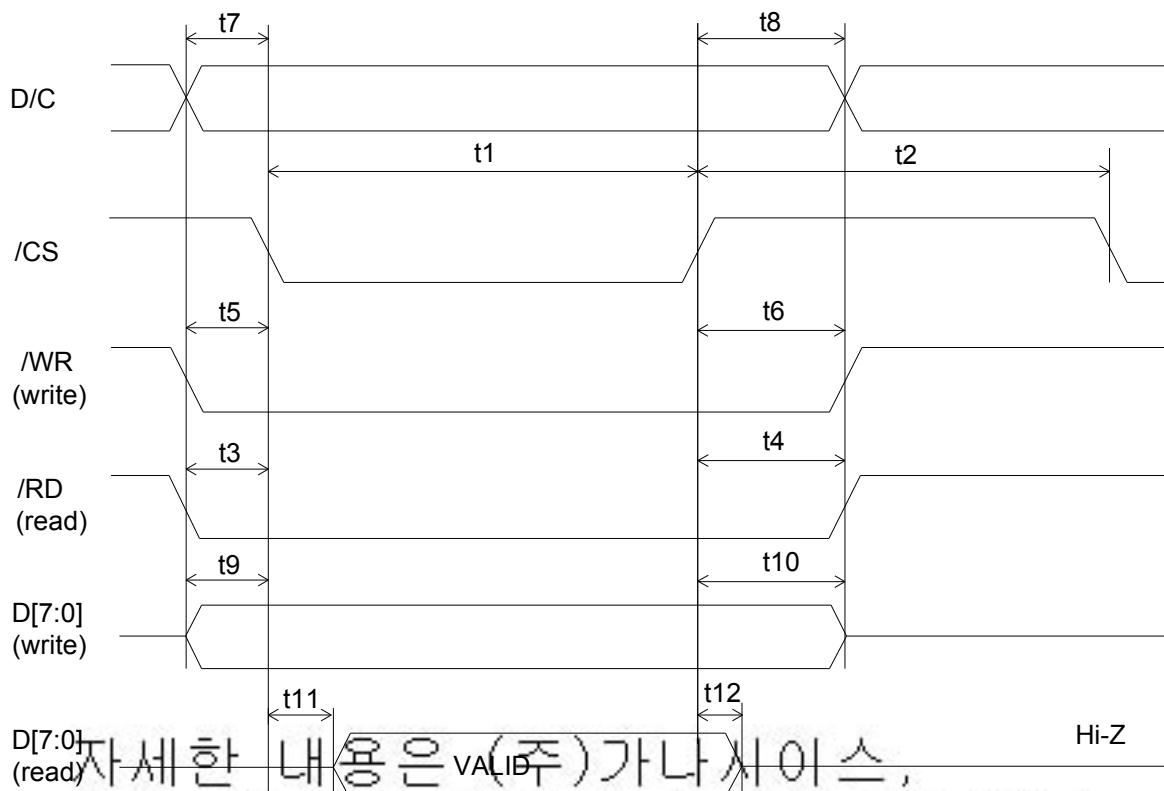
1. Bit 7 represents the M/R#, Bit7=1 means memory access, Bit7=0 means register access.
 Bit 6:3=0.
 Bit 2:0 represent the address AB(18:16).

5.4 8080 8-bit Indirect Interface Timing Diagram (Read Cycle)



- Note: 자세한 내용은 (주)가나시이스,
 7번: 02-2004-5611로 주사카 바랍니다.
1. Bit 7 represents the M/R#. Bit 7=1 means memory access, Bit 7=0 means register access. Bit 6:3=0. Bit 2:0 represent the address AB(18:16).
 2. Invalid dummy read cycle is needed after address is written.
 3. Read Brush Termination must be asserted for all JPEG related memory access.

5.5 8080 Indirect Interface Timing



자세한 내용은 (주)가나시이스, TEL: 02-2681-5611로 주시기 바랍니다.

| Symbol | Parameter | Min | Max | Unit |
|--------|------------------------|-----|-----|------|
| t1 | /CS pulse width low | 82 | | ns |
| t2 | /CS pulse width high | 82 | | ns |
| t3 | /RD setup | 18 | | ns |
| t4 | /RD hold | 0 | | ns |
| t5 | /WR setup | 18 | | ns |
| t6 | /WR hold | 0 | | ns |
| t7 | D/C setup | 18 | | ns |
| t8 | D/C hold | 0 | | ns |
| t9 | D[7:0] setup for write | 18 | | ns |
| t10 | D[7:0] hold for write | 0 | | ns |
| t11 | D[7:0] delay for read | 55 | | ns |
| t12 | D[7:0] hold for read | 0 | | ns |

6. Touch Panel Characteristics

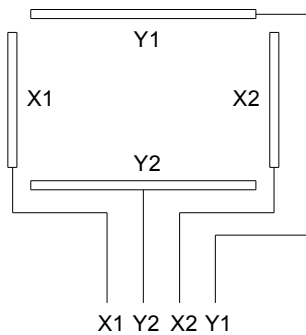
6.1 Electrical and Optical Characteristics

| Item | Min. | Typ. | Max. | Unit | Remark |
|-----------------------|------------|------|------|------|--------------------|
| Linearity | -1.5 | - | 1.5 | % | X and Y directions |
| Circuit Resistance | 200 | - | 900 | Ω | X direction |
| | 200 | - | 900 | Ω | Y direction |
| Insulation Resistance | 10 | - | - | MΩ | DC 25V |
| Operating Voltage | 2.7 | - | 7 | V | DC |
| Chatting Time | - | - | 10 | ms | |
| Transmittance | 78 | - | - | % | |
| Surface Treatment | Anti-glare | | | | |

6.2 Mechanical & Reliability Characteristics

| Item | Min. | Typ. | Max. | Unit | Remark |
|---------------------|-----------|------|------|-------|--------|
| Activation Force | 110 | - | - | g | |
| Surface Hardness | 3 | - | - | H | |
| Knocking Durability | 1,000,000 | - | - | times | |
| Writing Durability | 100,000 | - | - | words | |

6.3 Touch Panel Circuit Diagram

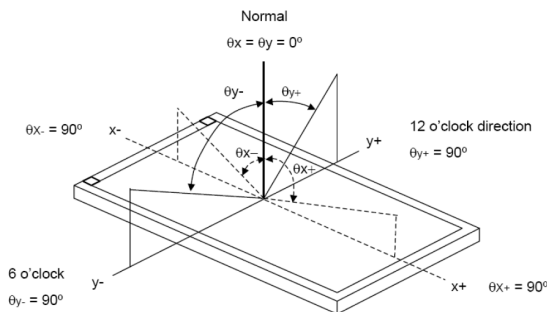


7. Optical Specifications

| Item | Symbol | Condition | Min. | Typ. | Max. | Unit | Note |
|----------------|--------|-----------|------|------|------|-------------------|------|
| Brightness | - | - | - | 120 | - | cd/m ² | 1 |
| Viewing Angle | Hor. | Θx+ | - | 60 | - | deg. | 2 |
| | | Θx- | - | 60 | - | | |
| | Ver. | Θy+ | - | 50 | - | | |
| | | Θy- | - | 55 | - | | |
| Contrast Ratio | Cr | Θx=Θy=0 | 220 | 300 | - | - | 3 |
| Response Time | Tr | Θx=Θy=0 | - | 10 | - | ms | 4 |
| | Tf | | - | 15 | - | ms | |
| Chromaticity | White | x | 0.26 | 0.31 | 0.36 | - | - |
| | | y | 0.28 | 0.33 | 0.38 | - | |

Note 1: Measured at the center area of the panel when the LCD on the "White" state.

Note 2: The above "Viewing Angle" is the measuring position with largest contrast ratio, not for good image quality. Viewing direction for good image quality is 6 O'clock.

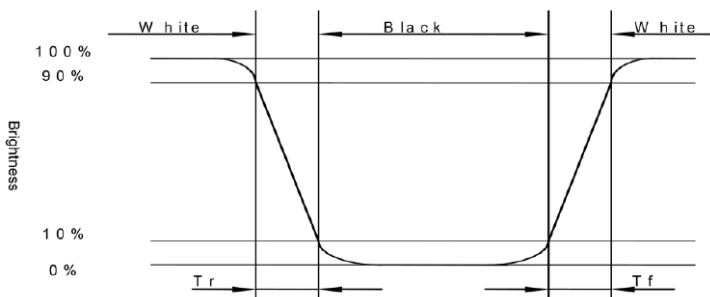


나시이스,
주시기 바랍니다.

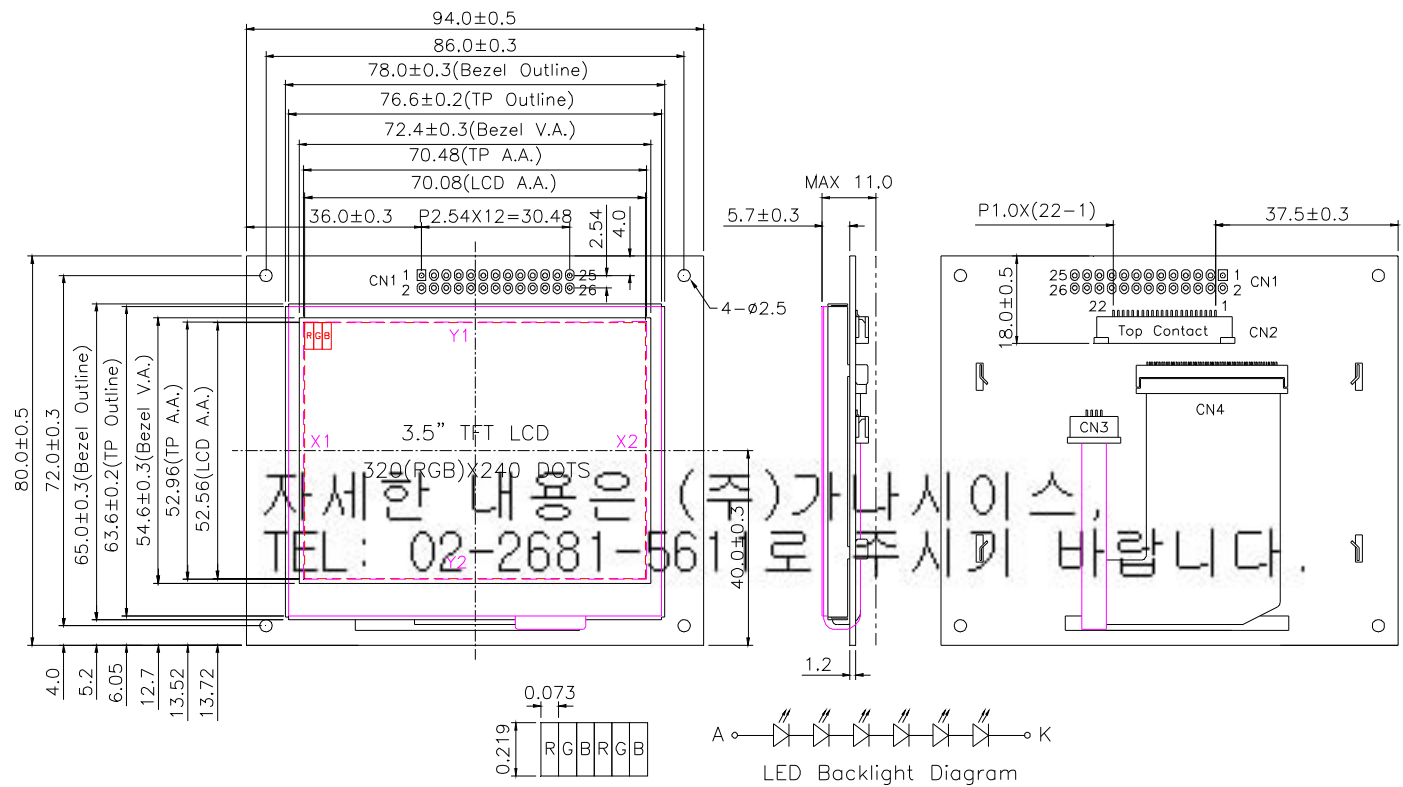
Note 3: The contrast ratio is defined as the following expression.

$$\text{Contrast Ratio (Cr)} = \frac{\text{Brightness measured when LCD on "White" State}}{\text{Brightness measured when LCD on "Black" state}}$$

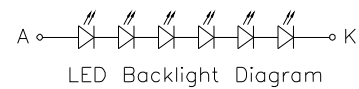
Note 4: The response time is defined as the LCD optical switching time interval between "White" state and "Black" state. Rise time Tr is the time between photo detector output intensity changed from 90% to 10%. Fall time Tf is the time between photo detector output intensity changed from 10% to 90%.



8. Outline Dimension



자세한 내용은 (주)가나시이스, 로주시회 바랍니다.
TEL: 02-2681-561



| | | | | | | | | | | | | | | | | | | | | | | |
|---------|-----|-----|----|-----|-----|-----|-----|-----|-----|-----|-----|-----|-----|-----|-----|------|----|----|----|----|-------|-------|
| PIN NO. | 1 | 2 | 3 | 4 | 5 | 6 | 7 | 8 | 9 | 10 | 11 | 12 | 13 | 14 | 15 | 16 | 17 | 18 | 19 | 20 | 21-22 | 23-26 |
| CN1/CN2 | VSS | VDD | BL | D/C | /WR | /RD | DB0 | DB1 | DB2 | DB3 | DB4 | DB5 | DB6 | DB7 | /CS | /RST | X1 | Y2 | X2 | Y1 | NC | NC |

* Pin 23 to Pin 26 is only available for CN1

- Notes:
- 3.5" Transmissive, Normally-White TFT-LCD Module
 - View Direction: 6:00
 - LCD Controller: SSD1926
 - Built-in LED Driver IC
 - 4-wire Resistive Touch Panel
 - Operation Temp.: -20°C to 70°C
 - Storage Temp.: -30°C to 80°C

| | | | | | |
|-------|------------|----------|-----------------------|------------|--------|
| DWN. | YDY | TITLE | LCM OUTLINE DIMENSION | | |
| CHK. | LYJ | PART NO. | LT035B-DT | | |
| APPD. | LY | DWG. NO. | LT035B-DT-WXA | | |
| REV. | A | UNIT | mm | PROJECTION | |
| DATE | 2013.07.09 | SCALE | NTS | SHEET | 1 OF 1 |

9. Initialization

Below are register values for lcd initialization code.

```
uint code reg_set[48][2] = {
    {0x00a2,0x00},//1 Software Reset Register
    {0x0126,0x0a},//2 PLL Clock Setting Register 0
    {0x0127,0xc8},//3 PLL Clock Setting Register 1
    {0x0004,0x00},//4 Memory Clock Configuration Register
    {0x012b,0xae},//5 PLL Clock Setting Register 2
    {0x0126,0x8a},//6 PLL Clock Setting Register 0
    {0x0158,0xff},//7 PCLK Frequency Ratio Register 0
    {0x0159,0x9f},//8 PCLK Frequency Ratio Register
    {0x015a,0x02},//9 PCLK Frequency Ratio Register 2
    {0x0010,0x71},//10 Panel Type Register
    {0x0011,0x00},//11 MOD Rate Register
    {0x0012,0x32},//12 Horizontal Total Register 1
    {0x0013,0x00},//13 Horizontal Total Register 0
    {0x0014,0x27},//14 Horizontal Display Period Register
    {0x0016,0x44},//15 Horizontal Display Period Start Position Register 0
    {0x0017,0x00},//16 Horizontal Display Period Start Position Register 1
    {0x0018,0x05},//17 Vertical Total Register 0
    {0x0019,0x01},//18 Vertical Total Register 1
    {0x001c,0xef},//19 Vertical Display Period Register 0
    {0x001d,0x00},//20 Vertical Display Period Register 1
    {0x001e,0x13},//21 Vertical Display Period Start Position Register 0
    {0x001f,0x00},//22 Vertical Display Period Start Position Register 1
    {0x0020,0x00},//23 LLINE Pulse With Register
    {0x0021,0x00},//24 LLINE Pulse Start Sub-pixel Position Register
    {0x0022,0x00},//25 LLINE Pulse Start Position Register 0
    {0x0023,0x00},//26 LLINE Pulse Start Position Register 1
    {0x0024,0x80},//27 LFRAME Pulse With Register 1
    {0x0026,0x00},//28 LFRAME Pulse Start Position Register 0
    {0x0027,0x00},//29 LFRAME Pulse Start Position Register 1
    {0x0030,0x00},//30 LFRAME Pulse Start Offset Register 0
    {0x0031,0x00},//31 LFRAME Pulse Start Offset Register 1
    {0x0034,0x00},//32 LFRAME Pulse Stop Offset Register 0
}
```

{0x0035,0x00},//33 LFRAME Pulse Stop Offset Register 1
{0x0038,0x01},//34 LSHIFT Polarity Register
{0x0070,0x44},//35 Display Mode Register
{0x0071,0x40},//36 Special Effects Register
{0x0074,0x00},//37 Main Window Display Start Address Register 0
{0x0075,0x00},//38 Main Window Display Start Address Register 1
{0x0076,0x00},//39 Main Window Display Start Address Register 2
{0x0078,0xa0},//40 Main Window Line Address Offset Register 0 // = 320:(32:16bpp) = 160
{0x0079,0x00},//41 Main Window Line Address Offset Register 1
{0x01a4,0xc0},//42 RGB Setting Register
{0x01a5,0x00},//43 PCLK Frequency Ratio Register 2
{0x00ad,0x00},//44 LCD Power Control Register
{0x00a0,0x00},//45 Power Saving Configuration Register
{0x002d,0x80},//46 Display Post-processing Brightness Control Register
{0x002e,0x40},//47 Display Post-processing Contrast Control Register
{0x002f,0x01},//48 Display Post-processing Control Register

};

자세한 내용은 (주)가나시이스,
TEL: 02-2681-5611로 주시기 바랍니다.

10. Precautions for Use of LCD Module

10.1 Handling Precautions

- 1) The display panel is made of glass. Do not subject it to a mechanical shock by dropping it from a high place, etc.
- 2) If the display panel is damaged and the liquid crystal substance inside it leaks out, be sure not to get any in your mouth. If the substance comes into contact with your skin or clothes, promptly wash it off using soap and water.
- 3) Do not apply excessive force on the surface of display or the adjoining areas of LCD module since this may cause the color tone to vary.
- 4) The polarizer covering the display surface of the LCD module is soft and easily scratched. Handle this polarizer carefully.
- 5) If the display surface of LCD module becomes contaminated, blow on the surface and gently wipe it with a soft dry cloth. If it is heavily contaminated, moisten cloth with one of the following solvents.
 - Isopropyl alcohol
 - Ethyl alcoholSolvents other than those mentioned above may damage the polarizer. Especially, do not use the following:
 - Water
 - Ketone
 - Aromatic Solvents
- 6) When mounting the LCD module make sure that it is free of twisting, warping, and distortion. Distortion has great influence upon display quality. Also keep the stiffness enough regarding the outer case.
- 7) Be sure to avoid any solvent such as flux for soldering never stick to Heat-Seal. Such solvent on Heat-Seal may cause connection problem of heat-Seal and TAB.
- 8) Do not forcibly pull or bend the TAB I/O terminals.
- 9) Do not attempt to disassemble or process the LCD module.
- 10) NC terminal should be open. Do not connect anything.
- 11) If the logic circuit power is off, do not apply the input signals.
- 12) To prevent destruction of the elements by static electricity, be careful to maintain an optimum work environment.
 - Be sure to ground the body when handling the LCD module.
 - Tools required for assembly, such as soldering irons, must be properly grounded.
 - To reduce the amount of static electricity generated, do not conduct assembly and other work under dry conditions.
 - The LCD module is coated with a film to protect the display surface. Exercise care when peeling off this protective film since static electricity may be generated.

10.2 Storage Precautions

- 1) When storing the LCD module, avoid exposure to direct sunlight or to the light of fluorescent lamps and high temperature/high humidity. Whenever possible, the LCD module should be stored in the same conditions in which they were shipped from our company.
- 2) Exercise care to minimize corrosion of the electrodes. Corrosion of the electrodes is accelerated by water droplets or a current flow in a high humidity environment.

10.3 Design Precautions

- 1) The absolute maximum ratings represent the rated value beyond which LCD module can not exceed. When the LCD modules are used in excess of this rated value, their operating characteristics may be adversely affected.
- 2) To prevent the occurrence of erroneous operation caused by noise, attention must be paid to satisfy VIL, VIH specification values, including taking the precaution of using signal cables that are short.
- 3) The liquid crystal display exhibits temperature dependency characteristics. Since recognition of the display becomes difficult when the LCD is used outside its designated operating temperature range, be sure to use the LCD within this range. Also, keep in mind that the LCD driving voltage levels necessary for clear displays will vary according to temperature.
- 4) Sufficiently notice the mutual noise interference occurred by peripheral devices.
- 5) To cope with EMI, take measures basically on outputting side.
- 6) If DC is impressed on the liquid crystal display panel, display definition is rapidly deteriorated by the electrochemical reaction that occurs inside the liquid crystal display panel. To eliminate the opportunity of DC impressing, be sure to maintain the AC characteristics of the input signals sent to the LCD Module.

10.4 Others

- 1) Liquid crystals solidify under low temperatures (below the storage temperature range) leading to defective orientation or the generation of air bubbles (black or white). Air bubbles may also be generated if the LCD module is subjected to a strong shock at a low temperature.
- 2) If the LCD modules have been operating for a long time showing the same display patterns, the display patterns may remain on the screen as ghost images and a slight contrast irregularity may also appear. A normal operating status can be regained by suspending use for some time. It should be noted that this phenomenon does not adversely affect performance reliability.
- 3) To minimize the performance degradation of the LCD modules resulting from destruction caused by static electricity, etc., exercise care to avoid touching the following sections when handling the module:
 - Terminal electrode sections.
 - Part of pattern wiring on TAB,